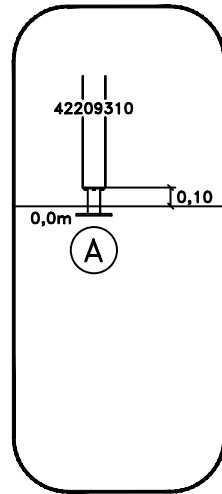
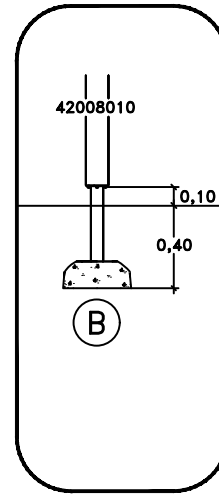


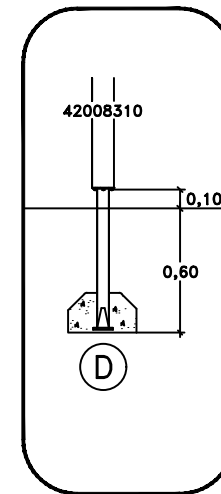
260329
422213
423213
424213
426162
448000
42008010
42060310
42071810
42072110
42077010
42271810
42272110
42277010
42471810
42472110
42477010
MA420994
MA426121
MASW37573
MASW38904
MASW39775
MASW42099
MASW42193



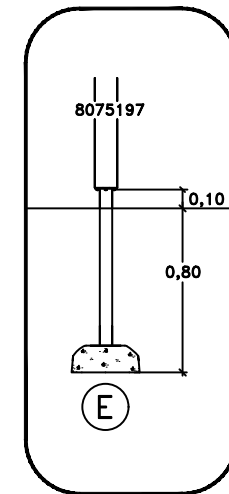
OM
Above Ground
 8074245



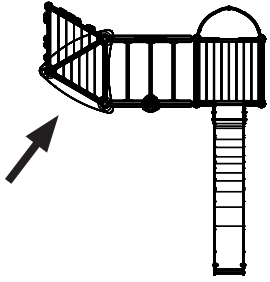
SF
Sunken Foundation
 8061749



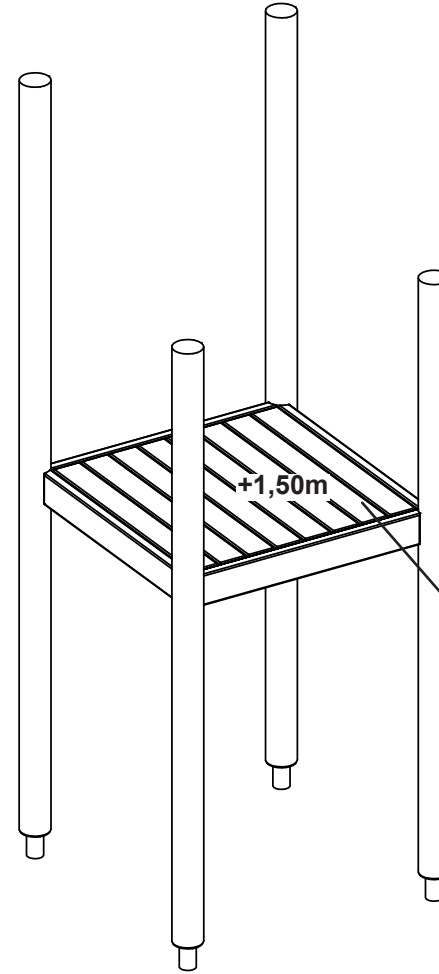
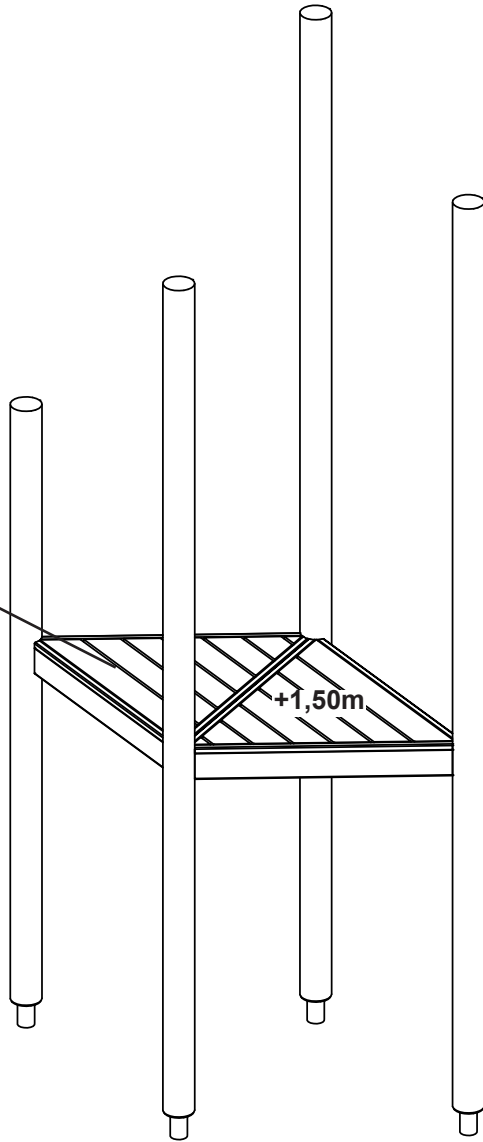
CC
Cast In Place
 8063250



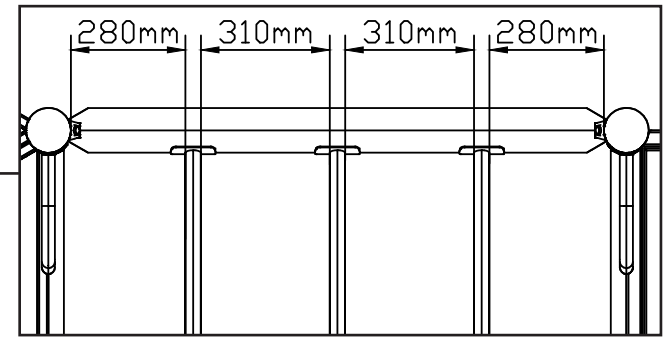
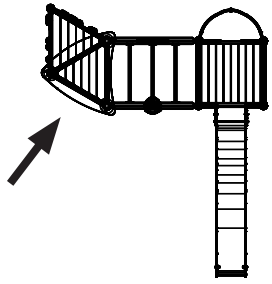
BM
Loosefill
 8072234



426162
x2



MA426121



MA420994
x10

42060310

L=1,30m
+2,20m
x2

+2,15
x3

+1,02

+1,02

+0,54

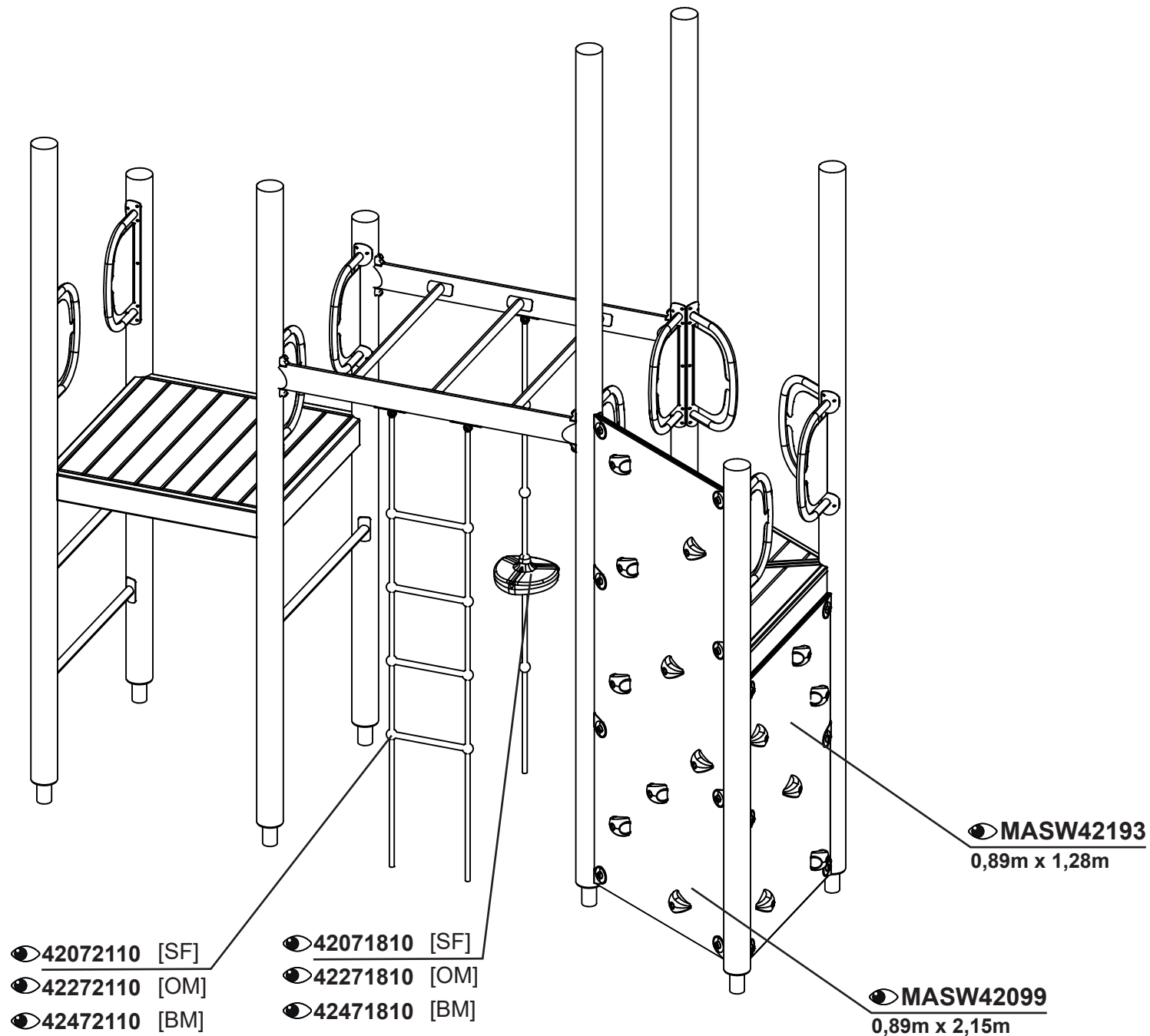
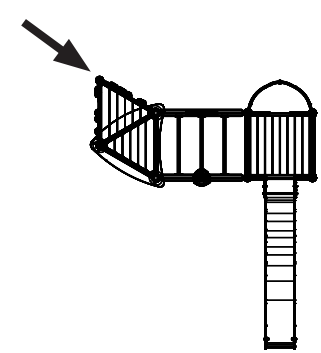
+1,02

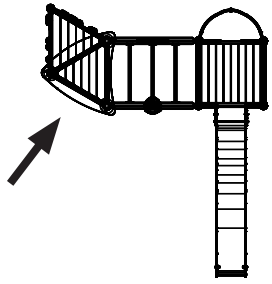
MASW37573

x9

+0,54

+1,02





● MASW38904

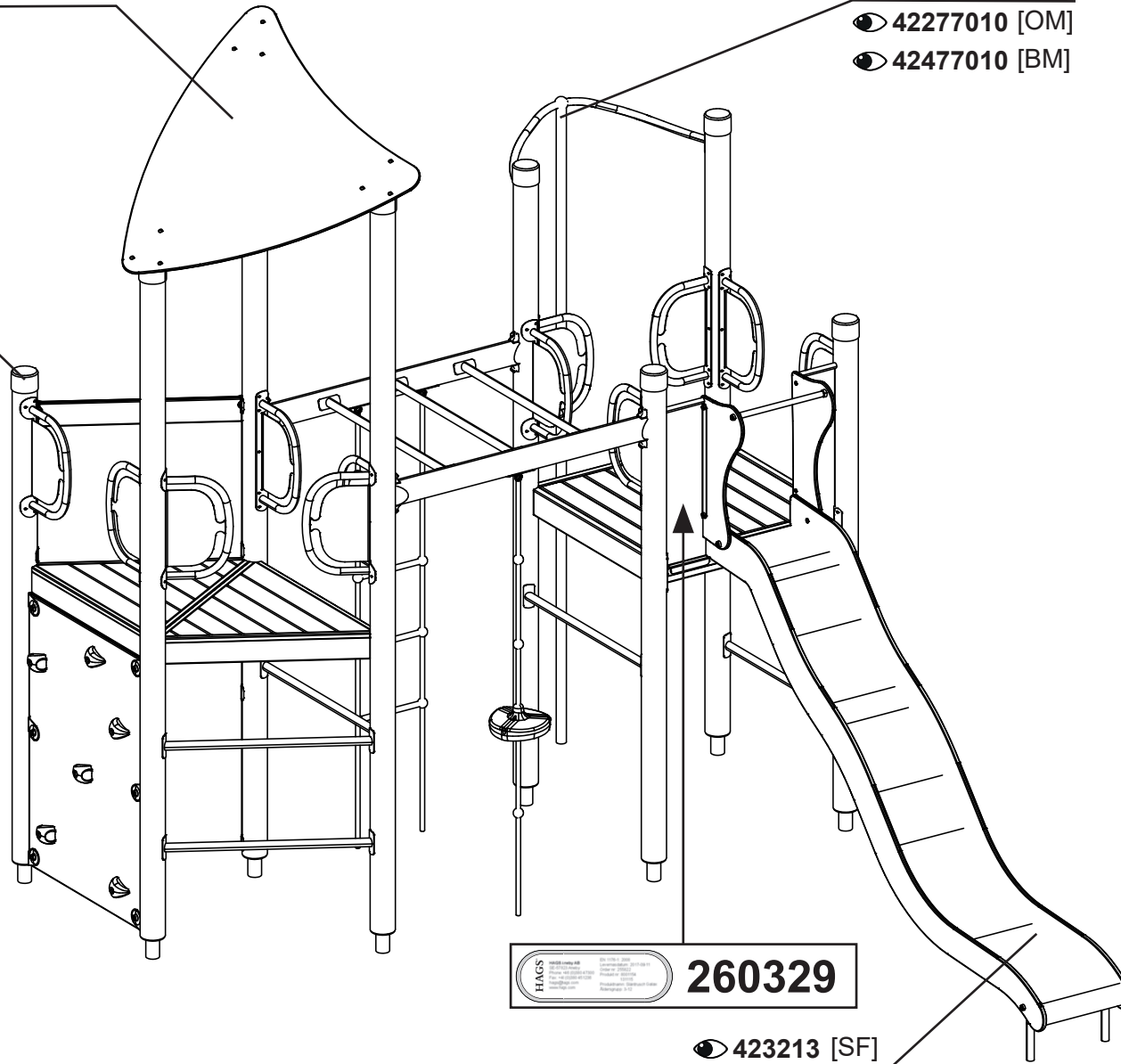
● 42077010 [SF]

● 42277010 [OM]

● 42477010 [BM]

● MASW39775

x5



● 423213 [SF]

● 422213 [OM]

● 424213 [BM]